

Справочный раздел  
Интернет Портала «Радиодар»

ТЕХНИЧЕСКИЙ СПРАВОЧНИК  
«Диодный мост КВРС5010  
производства фирмы SEP Discrete Semiconductors.»

Версия:	1
Ревизия:	1.0.0
Дата:	2003 г.

**50.0 A Single-Phase Silicon Bridge Rectifier**  
Rectifier Reverse Voltage 50 to 1000V**Features**

- This series is UL listed under the Recognized Component Index, file number E142814
- The plastic material used carries Underwriters Laboratory flammability recognition 94V-0
- Universal 4-way terminals, snap-on, wrap-around, solder or P.C. Board mounting
- Surge overload ratings to 400 amperes
- Electrically isolated metal case for maximum heat dissipation
- Case to terminal isolation voltage 2500V

**Mechanical Data**

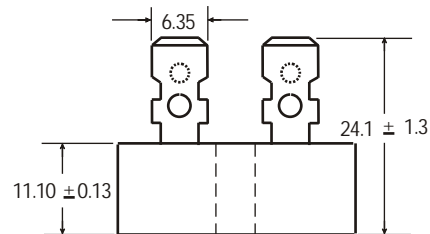
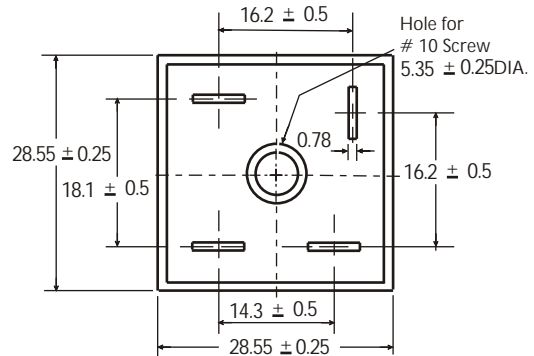
Case: Metal case

Terminals: Plated .25"(6.35mm) Faston

Weight: 1.116 ounce, 31.6 grams (approx)

Mounting Position: Bolt down with silicone thermal compound between bridge and mounting surface for maximum heat transfer efficiency

Mounting Torque: 20 in-lb max.



Dimensions in millimeters (1mm=0.0394")

**Maximum Ratings & Thermal Characteristics**Rating at 25°C ambient temperature unless otherwise specified, Resistive or Inductive load, 60 Hz.  
For Capacitive load derate current by 20%.

Parameter	Symbol	KBPC 50005	KBPC 5001	KBPC 5002	KBPC 5004	KBPC 5006	KBPC 5008	KBPC 5010	unit
Maximum repetitive peak reverse voltage	VRRM	50	100	200	400	600	800	1000	V
Maximum RMS bridge input voltage	VRMS	35	70	140	280	420	560	700	V
Maximum DC blocking voltage	VDC	50	100	200	400	600	800	1000	V
Maximum average forward rectified output current at TA=40°C	IF(AV)	50							A
Peak forward surge current single sine-wave superimposed on rated load (JEDEC Method)	IFSM	400							A
Rating for fusing ( t<8.3ms)	I <sup>2</sup> t	664							A <sup>2</sup> sec
Typical thermal resistance per element(1)	ReJA	2.5							°C / W
Operating junction and storage temperature range	TJ, TSTG	-55 to + 150							°C

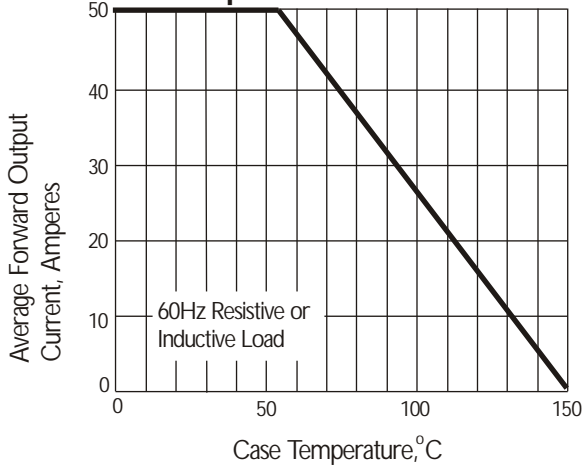
**Electrical Characteristics**Rating at 25°C ambient temperature unless otherwise specified. Resistive or Inductive load, 60Hz.  
For Capacitive load derate by 20 %.

Parameter	Symbol	KBPC 50005	KBPC 5001	KBPC 5002	KBPC 5004	KBPC 5006	KBPC 5008	KBPC 5010	Unit
Maximum instantaneous forward voltage drop per leg at 25.0A	VF	1.0							V
Maximum DC reverse current at rated TA =25°C DC blocking voltage per element TA =125°C	IR	10 500							μA

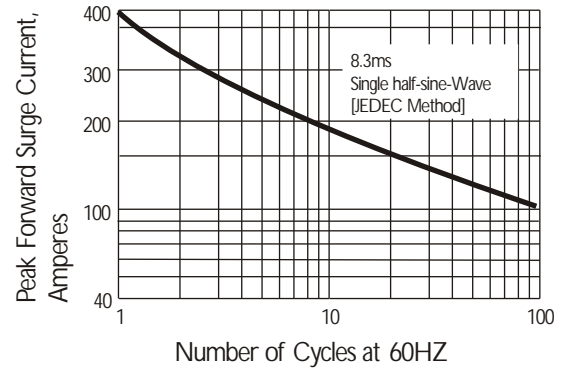
**Notes:** (1)Thermal resistance from Junction to Ambient on P.C.board mounting.

**Rating and Characteristic Curves** (  $T_A=25^{\circ}\text{C}$  Unless otherwise noted )  
**KBPC50005 thru KBPC5010**

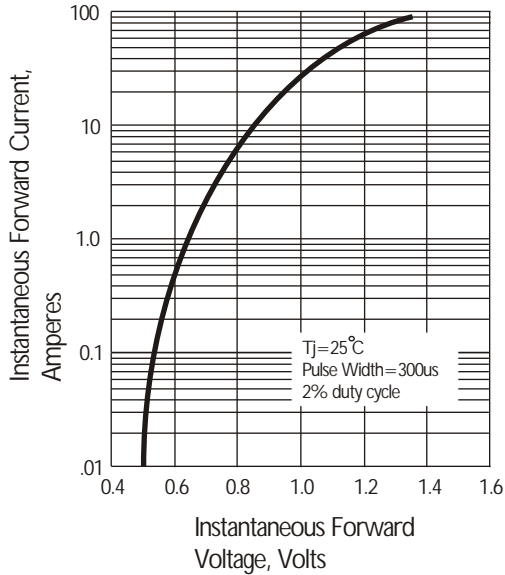
**Fig. 1 Derating Curve for Output Rectified Current**



**Fig. 2 Maximum Non-repetitive Peak Forward Surge Current**



**Fig. 3 Typical Instantaneous Forward Characteristics**



**Fig. 4 Typical Reverse Characteristics at  $T_J=25^{\circ}\text{C}$**

