

PA04

Single Point Aluminum Load Cell

TRUE-TEC

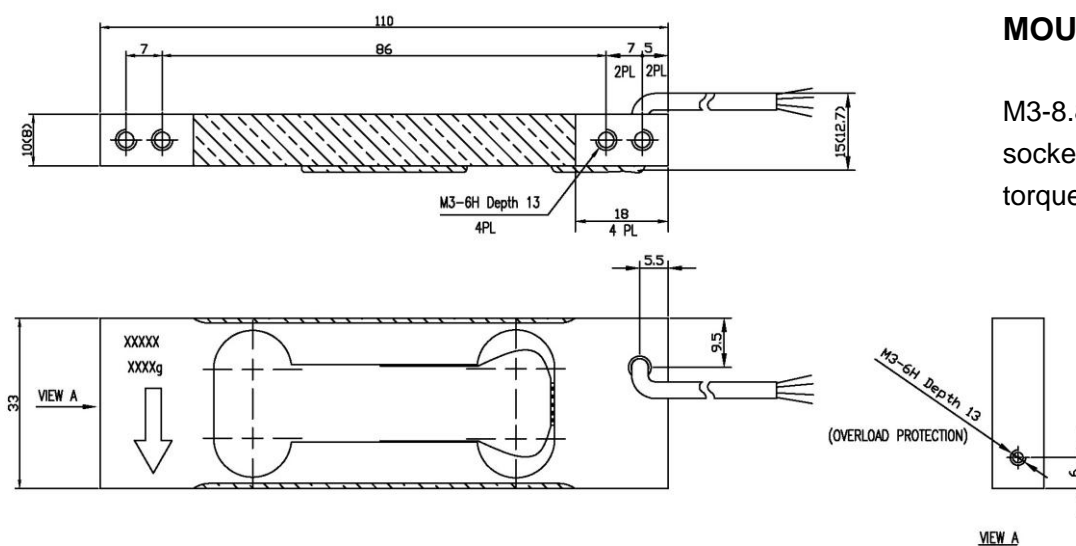
Quality by Advanced Technology



FEATURES

- Capacity 150-3000g
- Up to 100,000 divisions short term precision at room temperature
- Maximum platform Size 200x200 mm at 3000 divisions
- IP66 protection
- Load cell error better than 0.0048% of Rated Output available

OUTLINE DIMENSIONS



MOUNTING

M3-8.8 screws with socket head, tightening torque 1.4NM

SPECIFICATION

| PARAMETER | UNIT | VALUE | | | |
|------------------------------|-----------|--|--------|--------|--------|
| Rated capacity (E_{max}) | g | 150 ^{(1),(2)} , 200 ^{(1),(2)} , 300 ⁽²⁾ , 600, 1200, 1500, 3000 | | | |
| True-Tec Grade | | R | S | U | V |
| Sensitivity | mV/V | 0.90 | | | |
| Sensitivity tolerance | ± mV/V | 0.10 | | | |
| Zero balance | ± mV/V | 0.10 | | | |
| $Y=E_{max}/V_{min}$ | Typical | 4000 | 5000 | 6000 | 7500 |
| $Z=E_{max}/(2*DR)$ | Typical | 3000 | 4000 | 5000 | 6000 |
| Creep (From stable to 2min) | ± % | 0.0085 | 0.0050 | 0.0033 | 0.0028 |
| Temperature effect on output | ± %/ °C | 0.0014 | | | 0.0012 |
| Hysteresis | % | 0.0080 | 0.0045 | 0.0032 | 0.0025 |
| Linearity deviation | % | 0.0120 | 0.0100 | 0.0060 | 0.0045 |
| Repeatability | % | 0.0090 | 0.0050 | 0.0040 | 0.0030 |
| Eccentric loading error | % /cm | 0.0042 | 0.0042 | 0.0036 | 0.0024 |
| Nominal temperature range | °C | +10 to +40 | | | |
| Service temperature range | °C | -30 to +70 | | | |
| Limit load | % of R.C. | 200 | | | |
| Break load | % of R.C. | 300 | | | |
| Nominal Humidity Range | %RH | 20 to 65 | | | |
| Nominal excitation | V | 5 | | | |
| Max. excitation | V | 15 | | | |
| Input impedance | Ohm | 410 ± 15 | | | |
| Output impedance | Ohm | 350 ± 3 | | | |
| Insulation resistance | MOhm | >2000 | | | |
| Cable length | m | 0.35 | | | |
| Cable type | | 4 conductors, 28 AWG, Aluminum foil Shielded, Black PVC Jacket | | | |
| Color code | | +Exc -Grn, +Sig-Red, -Exc-Blk, -Sig- Wht | | | |
| Construction | | Aluminum | | | |
| Compensation circuit type | | Balanced Bridge | | | |
| Protection class to IEC529 | | IP 66 | | | |

Note: (1) 150g and 200g load cell available up to U grade only. (2) Optional width 8mm available up to 300g.

APPLICATIONS

Model PA04 is a very low capacity, very high precision single point load cell designed for direct mounting in low capacity scales and precision balances.

The PA04 offers up to 100,000 divisions' short term precision at room temperature. This load cell is ideal for applications including jewelry scales, analytical balances, medical equipment, medical and pharmaceutical research and low level force measurement.

A threaded hole in the loading end of the load cell is provided for overload protection.

Due to True-Tec's Policy of continuous development, these specifications are subject to change without notice.
All details describe our products in general form only. They are not to be understood as express warranty and do not constitute any liability whatsoever.

Beijing True-Tec Co., Ltd.

4/F, Bldg. 2, No. 8, Hong Da Bei Lu
BDA, Beijing 100176, China
Tel.: +86-10-67869219 Fax: +86-10-67862581
E-mail: info@true-tec.com www.true-tec.com